
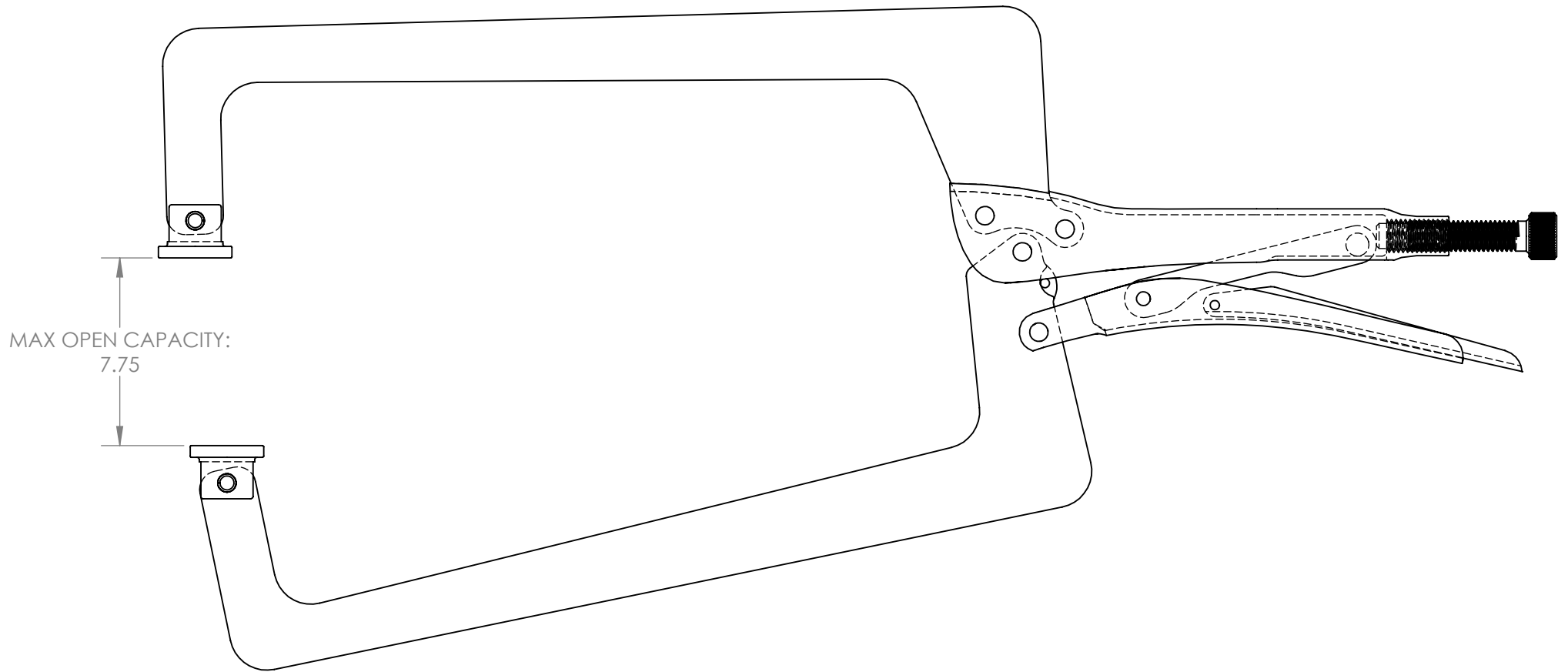
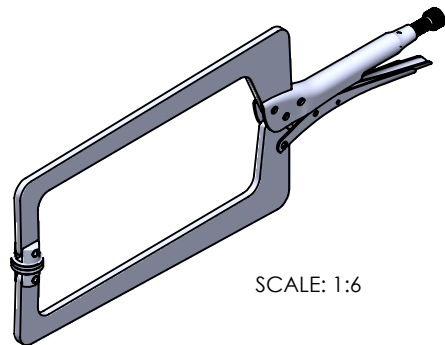


SCALE: 1:6


UNLESS OTHERWISE SPECIFIED: DIMENSIONS ARE IN INCHES			TOLERANCES: X.XX= ±0.25 X.XXX= ±0.031 X.XXXX= -0.0015		 The Global Source for Stainless Steel Tools
DRAWN	NAME	SIGN	DATE		
APP'VD	A.T.		05.16.19		
MATERIAL: 304 MAGNETIC S.S. 420 MAGNETIC S.S. 17-4 MAGNETIC S.S.					TITLE: 10" DEEP CLEARANCE LOCKING CLAMP
THIS DRAWING IS THE PROPERTY OF STERITOOL, INC. ANY REPRODUCTIONS OR MODIFICATIONS OF THIS DRAWING OR ITS CONTENTS WITHOUT THE CONSENT OF STERITOOL, INC. IS PROHIBITED.					PART NO. 10026_SP10
SCALE: 1:2			SHEET 1 OF 2		REV: A



MAX OPEN CAPACITY:
7.75



SCALE: 1:6

UNLESS OTHERWISE SPECIFIED: DIMENSIONS ARE IN INCHES			TOLERANCES: X.XX= ±0.25 X.XXX= ±0.031 X.XXXX= -0.0015		 STERITOOL™ The Global Source for Stainless Steel Tools
DRAWN	NAME	SIGN	DATE		
APP'VD	A.T.		05.16.19		TITLE: 10" DEEP CLEARANCE LOCKING CLAMP
MATERIAL: 304 MAGNETIC S.S. 420 MAGNETIC S.S. 17-4 MAGNETIC S.S.					PART NO. 10026_SP10
THIS DRAWING IS THE PROPERTY OF STERITOOL, INC. ANY REPRODUCTIONS OR MODIFICATIONS OF THIS DRAWING OR ITS CONTENTS WITHOUT THE CONSENT OF STERITOOL, INC. IS PROHIBITED.					SCALE: 1:2
					SHEET 2 OF 2
					REV: A